



**AUSTRALIA'S BUSIEST KITCHENS
RELY ON COOKON.**

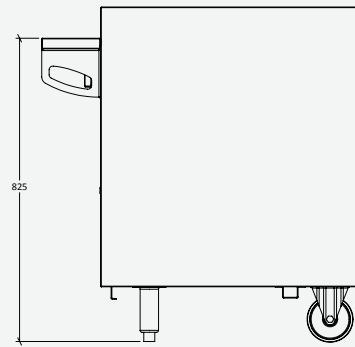
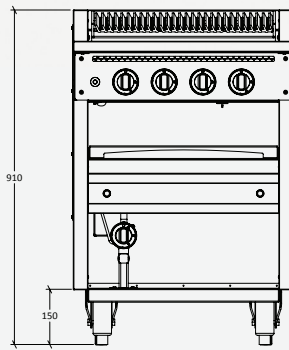
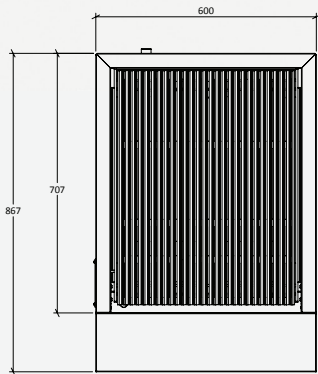


COOKON CRG-600 SERIES HIGH PERFORMANCE CHAR GRILL

The CRG-600 high performance grill range offers an outstanding performing piece of equipment which can easily sustain constant high volume output of quality product. Suitable for high volume hotels and restaurants or smaller outlets who are looking for quality and longevity in their catering equipment. The CRG range can be customised to suit all requirements including rotisseries, resting racks and refrigerated bases.

AVAILABLE MODELS

- CRG-600 – Gas high performance grill



STANDARD FEATURES

- High performance stainless steel burners fitted with individual high/low control
- Stainless steel burner radiants
- All stainless steel insulated external panels
- Cast iron cooking grates
- Flame failure safety devices
- Removable grease drawer
- Rear castors
- Adjustable front feet

OPTIONAL FEATURES

- Resting rack
- Smooth griddle plates

SPECIFICATIONS

GAS TYPE

Natural or LPG
(Specify when ordering)

GAS CONNECTION

½" (BSP) female. All units supplied with regulators

GAS RATINGS

CRG-600 @ 68MJ/hr

GLOBAL-MARK APPROVAL NO

GA-102405-004

DIMENSIONS (MM)

Appliance: 600 x 867 x 910

Specifications are subject to change without notice.

< **CONFIDENCE IN QUALITY** >
3 YEAR WARRANTY

All our products carry a 3 year warranty and will last a very long time if our care instructions are followed.
© Cookon is a member of the Langford Metal Industries Group, a Queensland company established 1955.

